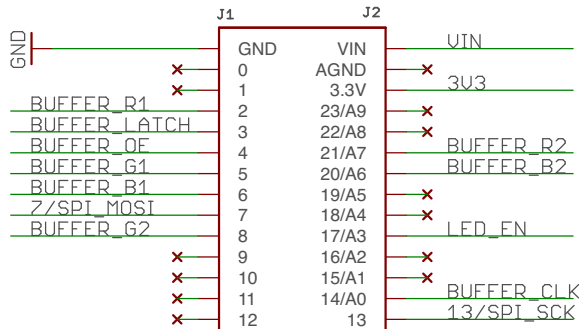
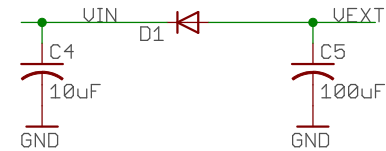


Teensy



TEENSY_3.0_MIN_LEFT_BOT_MOUNT TEENSY_3.0_MIN_RIGHT_BOT_MOUNT
All pins marked with X are unused by SmartLED Library

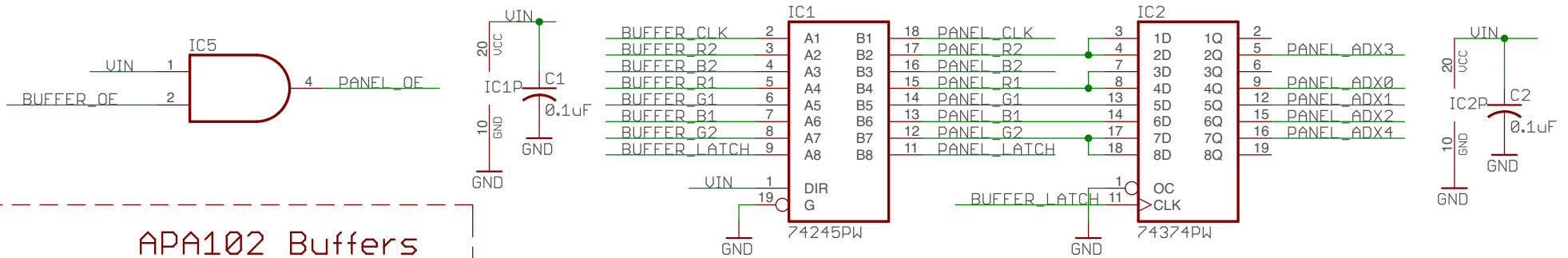
Power



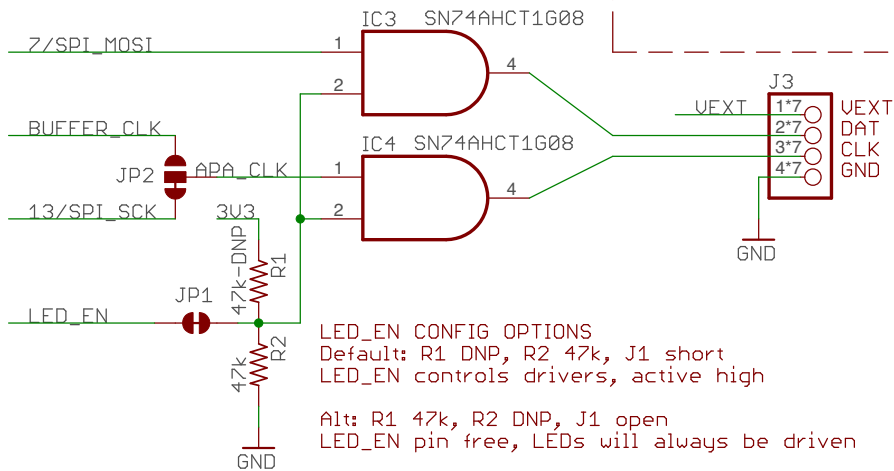
LEDs are powered externally, Teensy can be powered from VEXT or from USB

C5 is optional (not placed), it can be added to lessen the effects of kickback when switching long strings of LEDs on and off on USB power

Matrix Panel: Data

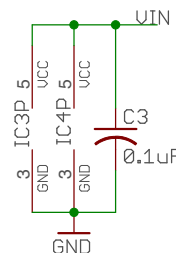


APA102 Buffers



APA CONFIG OPTIONS
Default: JP2 connects 13 and APA_CLK
13 isn't available for Audio Board I2S0_RXD0

Alt: JP2 connects 14 to APA_CLK
13 available for I2S0_RXD0
(No Panel Driving)



SmartLED Shield for Teensy Pixelmatix 2017 CC BY-SA

TITLE: SmartLEDShield_V4

Document Number:

REV:
V4

Date: 10/25/17 12:03 PM

Sheet: 1/1