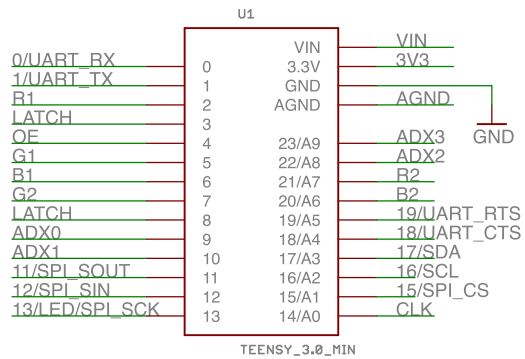
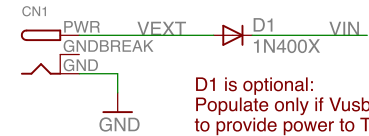


Teensy

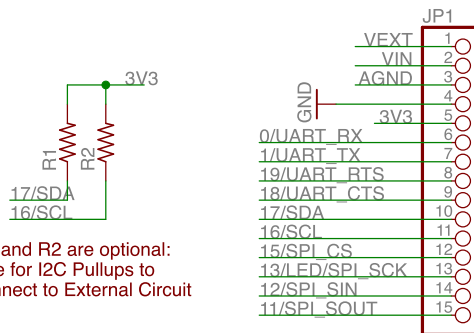


Power Input



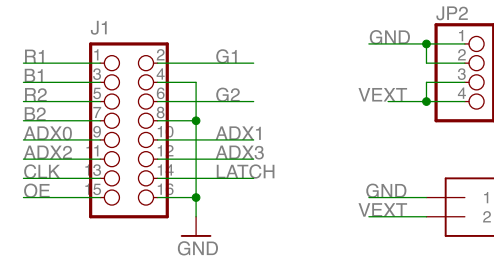
D1 is optional:
Populate only if Vusb trace on Teensy 3 is cut,
to provide power to Teensy board from Vext

Expansion



R1 and R2 are optional:
Use for I2C Pullups to
connect to External Circuit

Matrix: Data and Power



SmartMatrix Shield for Teensy 3 Pixelmatix 2014 CC BY-SA

TITLE: SmartMatrixShield_V1

Document Number:

REV:
V1

Date: 4/15/14 1:53 PM

Sheet: 1/1